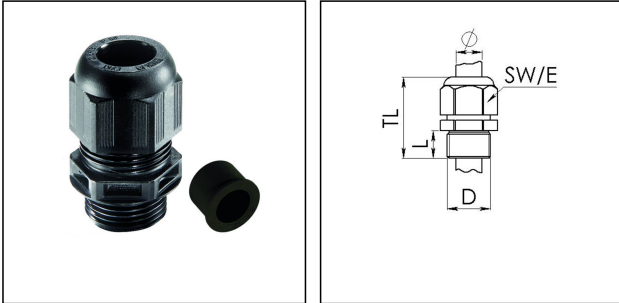


NSKV-RDE 1 1/4

Cable gland with reduction sealing insert, polyamide



Product illustrations are exemplary and may differ from the chosen product. Further variants and individual customization, we will gladly provide you on request.



Material cable gland	Polyamide
Material sealing gasket	EPDM
Temp. range min	-40 °C
Temp. range max	100 °C
Protection class	IP68 (5 bar 30 min), IP69
Thread type	NPT
Ø Connection thread D	1 1/4"
Length screw-in thread L	18 mm
Ø cable diameter min	12 mm
Ø cable diameter max	28 mm
Key width SW	46 mm
Collar diameter (E)	51 mm
Total length TL	60 mm - 73 mm
Glow wire test	750 °C
Type of cable anchorage	A
Install. torques cap nut	20 N m
Install. torques fitting	20 N m
Advice	With reduction insert
Product Color	RAL 9005
Order no. RAL 9005	10101990
Type	NSKV-RDE 1 1/4
Packing unit	10

24.06.2017

