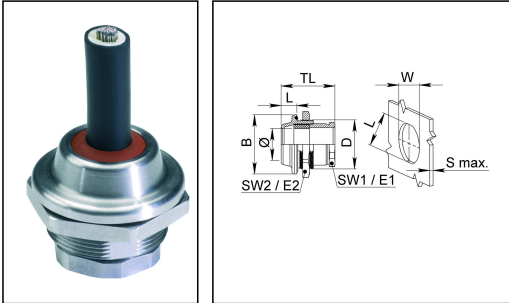


HGSM 32-LT pack

Cable gland, stainless steel, M32



Product illustrations are exemplary and may differ from the chosen product. Further variants and individual customization, we will gladly provide you on request.



Material cable gland	Stainless steel A2 (1.4305)
Material sealing gasket	Silicone
Temp. range min	-60 °C
Temp. range max	180 °C
Protection class	IP69, IP68 (5 bar 30 min)
Thread type	M
Ø Connection thread D	32
Lead	0,75
Ø cable diameter min	9 mm
Ø cable diameter max	23 mm
Key width SW1	28 mm
Key width SW2	36 mm
Collar diameter E1	30 mm
Collar diameter E2	40 mm
LxWxS (max)	30x32x10mm
BxL	38x11mm
Total length TL	27,5 mm - 39,5 mm
Advice	Incl. sealing rings, locknut
WISKA-Order no.	10102120
Type	HGSM 32-LT pack
Packing unit	1

22.11.2018

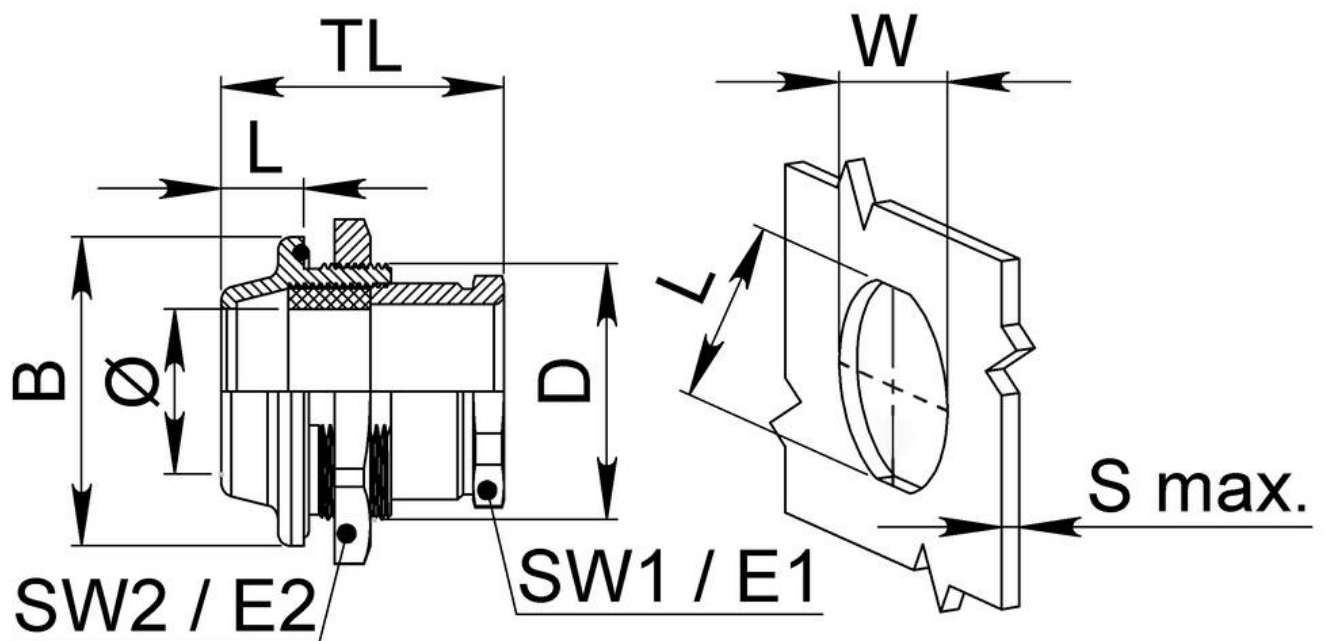
Your Contact:

WISKA Hoppmann GmbH

Kisdorfer Weg 28 · 24568 Kaltenkirchen · Germany

☎ +49-4191-508-0 · 📠 +49-4191-508-209

contact@wiska.de · www.wiska.com



Your Contact:

WISKA Hoppmann GmbH

Kisdorfer Weg 28 · 24568 Kaltenkirchen · Germany

☎ +49-4191-508-0 · 📠 +49-4191-508-209

contact@wiska.de · www.wiska.com