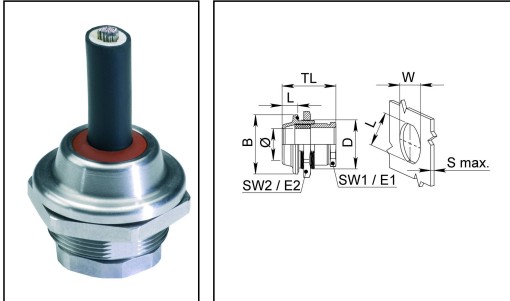


## HGSM 50-LT pack

Cable gland, stainless steel, M50



Product illustrations are exemplary and may differ from the chosen product. Further variants and individual customization, we will gladly provide you on request.



|                                |                              |
|--------------------------------|------------------------------|
| <b>Material cable gland</b>    | Stainless steel A2 (1.4305)  |
| <b>Material sealing gasket</b> | Silicone                     |
| <b>Temp. range min</b>         | -60 °C                       |
| <b>Temp. range max</b>         | 180 °C                       |
| <b>Protection class</b>        | IP69, IP68 (5 bar 30 min)    |
| <b>Thread type</b>             | M                            |
| <b>Ø Connection thread D</b>   | 50                           |
| <b>Lead</b>                    | 1,5                          |
| <b>Ø cable diameter min</b>    | 26 mm                        |
| <b>Ø cable diameter max</b>    | 38 mm                        |
| <b>Key width SW1</b>           | 45 mm                        |
| <b>Key width SW2</b>           | 60 mm                        |
| <b>Collar diameter E1</b>      | 47 mm                        |
| <b>Collar diameter E2</b>      | 65 mm                        |
| <b>LxWxS (max)</b>             | 47x50x10mm                   |
| <b>BxL</b>                     | 56x16mm                      |
| <b>Total length TL</b>         | 37 mm - 53 mm                |
| <b>Advice</b>                  | Incl. sealing rings, locknut |
| <b>WISKA-Order no.</b>         | 10102122                     |
| <b>Type</b>                    | HGSM 50-LT pack              |
| <b>Packing unit</b>            | 1                            |

17.08.2018

Your Contact:

**WISKA Hoppmann GmbH**

Kisdorfer Weg 28 · 24568 Kaltenkirchen · Germany

☎ +49-4191-508-0 · 📠 +49-4191-508-209

contact@wiska.de · www.wiska.com



Your Contact:

**WISKA Hoppmann GmbH**

Kisdorfer Weg 28 · 24568 Kaltenkirchen · Germany

☎ +49-4191-508-0 · 📠 +49-4191-508-209

contact@wiska.de · www.wiska.com