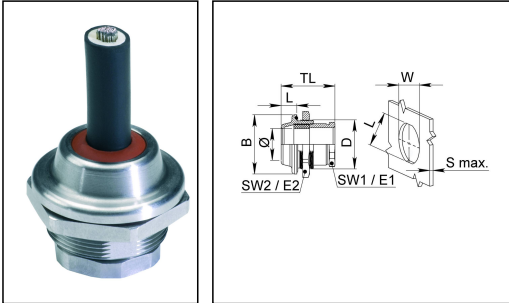


HGSM 16 FD pack

Cable gland, stainless steel, M16



Product illustrations are exemplary and may differ from the chosen product. Further variants and individual customization, we will gladly provide you on request.



Material cable gland	Stainless steel A2 (1.4305)
Material sealing gasket	Silicone
Temp. range min	-60 °C
Temp. range max	180 °C
Protection class	IP68 (5 bar 30 min), IP69
Thread type	M
Ø Connection thread D	16
Lead	0,75
Ø cable diameter min	2 mm
Ø cable diameter max	9 mm
Key width SW1	12 mm
Key width SW2	19 mm
Collar diameter E1	13 mm
Collar diameter E2	21 mm
LxWxS (max)	14,5x16x5mm
BxL	21x7mm
Total length TL	17,5 mm - 24,5 mm
Advice	Incl. sealing rings, locknut
WISKA-Order no.	10103624
Type	HGSM 16 FD pack
Packing unit	1

17.11.2018

Your Contact:

WISKA Hoppmann GmbH

Kisdorfer Weg 28 · 24568 Kaltenkirchen · Germany

☎ +49-4191-508-0 · 📠 +49-4191-508-209

contact@wiska.de · www.wiska.com



Your Contact:

WISKA Hoppmann GmbH

Kisdorfer Weg 28 · 24568 Kaltenkirchen · Germany

☎ +49-4191-508-0 · 📠 +49-4191-508-209

contact@wiska.de · www.wiska.com