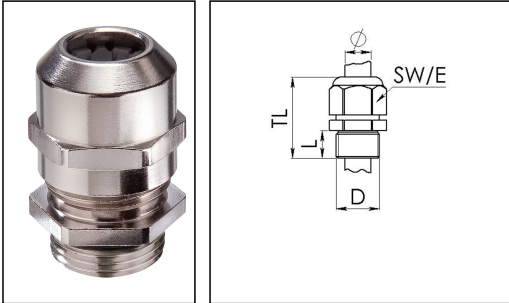


PMSKV 29-40 LT

Cable gland, LowTemp, brass nickel-plated, Pg 29



Product illustrations are exemplary and may differ from the chosen product. Further variants and individual customization, we will gladly provide you on request.



| | |
|--------------------------|---------------------------|
| Material cable gland | Brass nickel-plated |
| Material clamping cage | Polyamide |
| Material sealing gasket | Silicone |
| Temp. range min | -60 °C |
| Temp. range max | 100 °C |
| Protection class | IP69, IP68 (5 bar 30 min) |
| Thread type | PG |
| Ø Connection thread D | 29 |
| Length screw-in thread L | 8 mm |
| Ø cable diameter min | 16 mm |
| Ø cable diameter max | 28 mm |
| Key width SW | 46 mm |
| Collar diameter (E) | 50 mm |
| Total length TL | 44 mm - 55 mm |
| Type of cable anchorage | A |
| Install. torques fitting | 20 N m |
| Install. torques cap nut | 25 N m |
| Impact category | 6 |
| Surface | Nickel-plated |
| Order no. nickel-plated | 10107532 |
| Type | PMSKV 29-40 LT |
| Packing unit | 10 |
| ETIM-Classification | EC000441 |

Your Contact:

WISKA Hoppmann GmbH

Kisdorfer Weg 28 · 24568 Kaltenkirchen · Germany

☎ +49-4191-508-0 · 📠 +49-4191-508-209

contact@wiska.de · www.wiska.com

Recommended accessories

MMU 29

10062147

16.12.2018

Your Contact:

WISKA Hoppmann GmbH

Kisdorfer Weg 28 · 24568 Kaltenkirchen · Germany

 +49-4191-508-0 ·  +49-4191-508-209

contact@wiska.de · www.wiska.com



Your Contact:

WISKA Hoppmann GmbH

Kisdorfer Weg 28 · 24568 Kaltenkirchen · Germany

☎ +49-4191-508-0 · 📠 +49-4191-508-209

contact@wiska.de · www.wiska.com