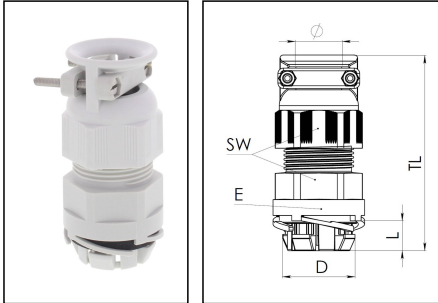


## ESKVZ-P 12 LG



Products may differ in size, colour and appearance to those shown. If you require further information or customisation, please contact us directly.



<b>Material</b>	Polyamide
<b>Material sealing gasket</b>	on cable EPDM, on housing TPE
<b>Protection class</b>	IP68 (5 bar 30 min), IP69
<b>Temp. range min</b>	-40 °C
<b>Temp. range max</b>	100 °C
<b>Glow wire test</b>	750 °C
<b>Ø Connection thread D</b>	12
<b>Length screw-in thread L</b>	6 mm
<b>Ø cable diameter min</b>	3 mm
<b>Ø cable diameter max</b>	7 mm
<b>Key width SW</b>	16 mm
<b>Collar diameter (E)</b>	19 mm
<b>Total length TL</b>	39 mm - 47,5 mm
<b>Ø Drilling</b>	12 mm - 12,2 mm
<b>Wall thickness S</b>	0,5 mm - 4 mm
<b>Product Color</b>	RAL 7035
<b>Type</b>	ESKVZ-P 12 LG
<b>Order no. RAL 7035</b>	10112643
<b>Packing unit</b>	50
<b>Tariff number</b>	39269097
<b>ETIM-Classification</b>	EC000451

### Recommended accessories

Your Contact:

WISKA Hoppmann GmbH

Kisdorfer Weg 28 · 24568 Kaltenkirchen · Germany

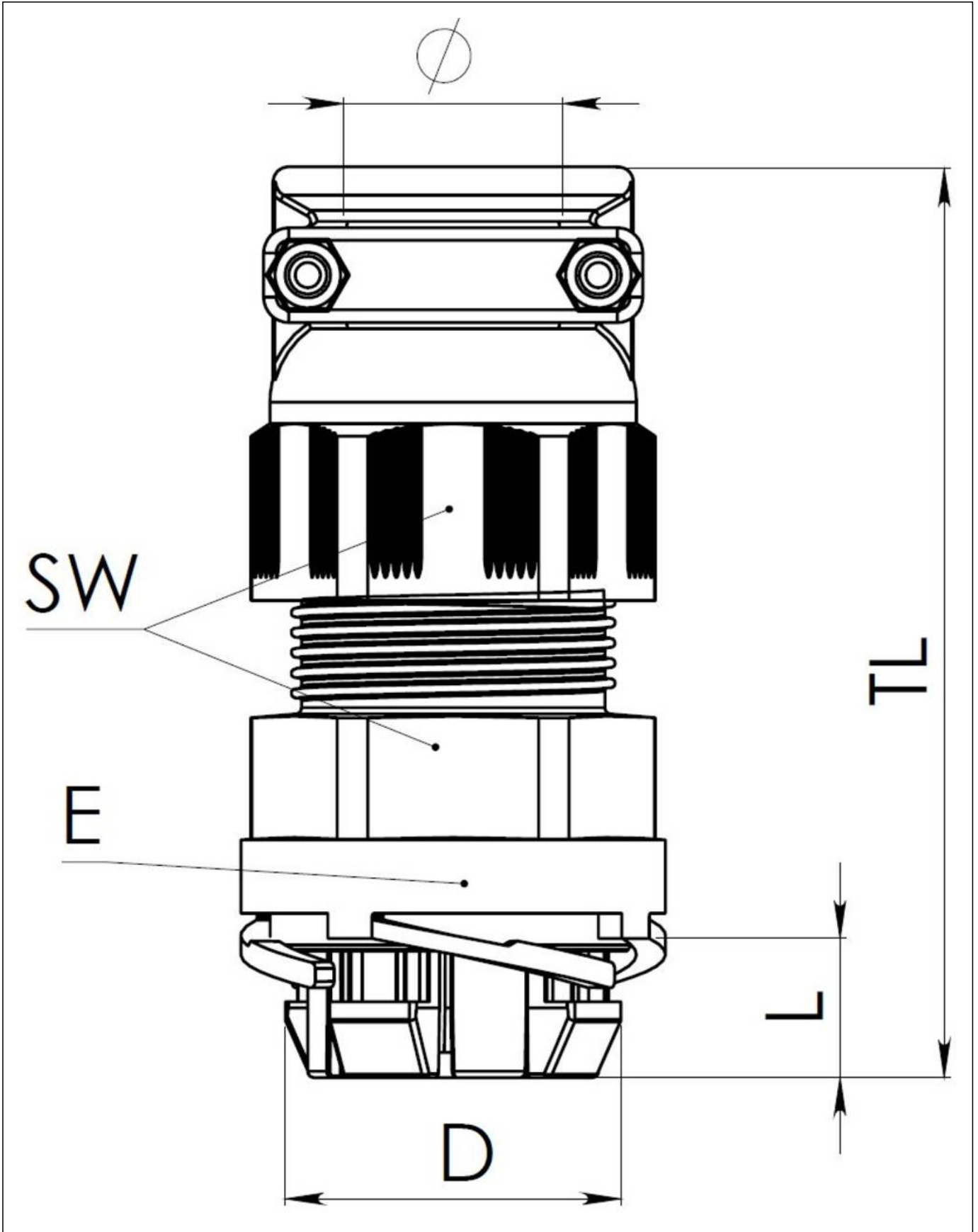
☎ +49-4191-508-0 · 📠 +49-4191-508-209

contact@wiska.de · www.wiska.com

<b>RDE 12</b>	10062183
<b>BS 7</b>	10064005

22.05.2024

Your Contact:  
**WISKA Hoppmann GmbH**  
Kisdorfer Weg 28 · 24568 Kaltenkirchen · Germany  
☎ +49-4191-508-0 · 📠 +49-4191-508-209  
contact@wiska.de · www.wiska.com



Your Contact:  
**WISKA Hoppmann GmbH**  
Kisdorfer Weg 28 · 24568 Kaltenkirchen · Germany  
☎ +49-4191-508-0 · 📠 +49-4191-508-209  
contact@wiska.de · www.wiska.com

Other technical data on request / subject to change without notice